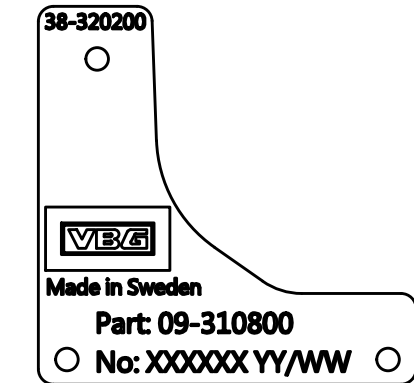
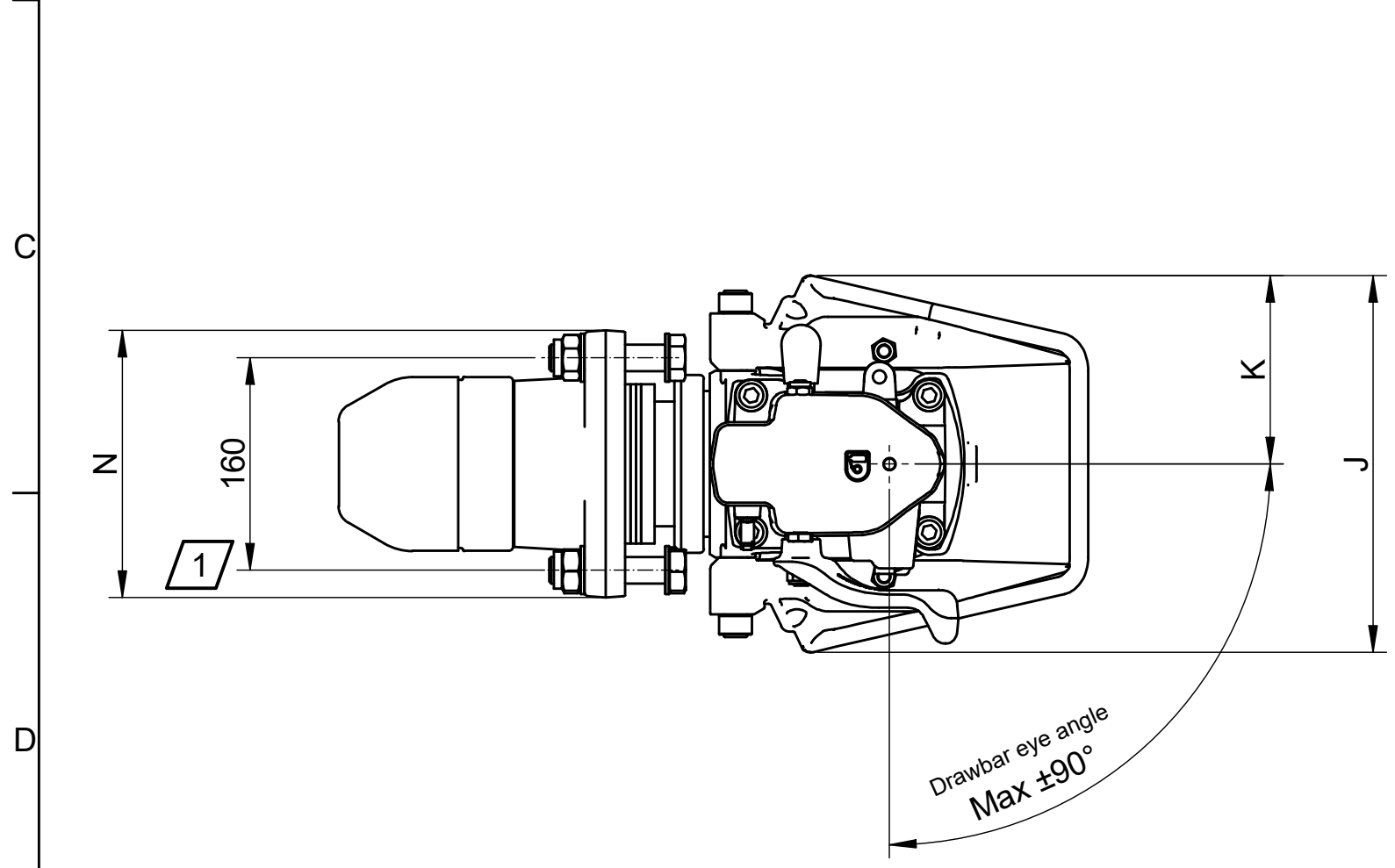
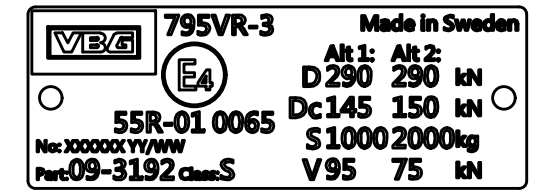


A, mechanism identification plate



B, identification plate



1 Mounting dimensions acc. to SS 550000-1 category 5 and ISO 3584 category 5-7

2 Coupling compatible with Ø57 drawbar eyes according to standard SS 550100-2

Dimensions acc to standard SS 550000-1 category 5 SS 550100-1 C57

| Dimension | Actual measure |
|-----------|----------------|
| M         | 139            |
| N         | 202            |
| P         | 216            |
| Q         | 314            |
| R         | 102            |
| S         | 268            |
| T         | 16-30          |
| J         | 284            |
| K         | 142            |
| L3        | 195            |

Measures for information only. Tolerance ±10mm.

## VBG GROUP

|   |                           |             |                  |            |
|---|---------------------------|-------------|------------------|------------|
| Description<br><b>VBG 795VR-3 L/L</b>   | Modified Date             | Modified by | Modification No. | Issue      |
|   | 2020-10-27                | HB          | 13001            | a          |
|   | 3D Model No.              | Engineer    |                  |            |
|   | 09-319200                 | HB          |                  |            |
| Sheet Size  | Scale                     | Projection  | Drafting Date    | Drafted by |
| A3  | 1:5                       |             | 2020-10-27       | HB         |
| Stage   | Drawing No.               |             |                  |            |
| P   | <b>09-319200 (F) INFO</b> |             |                  |            |
| This drawing is the property of VBG Group AB and is protected in accordance with prevailing law. Changes must be made in CAD-program, this concerns both 2D & 3D. |                           |             |                  |            |