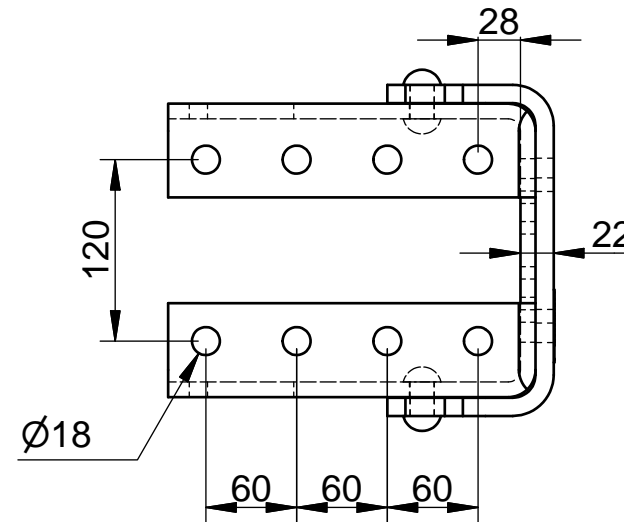
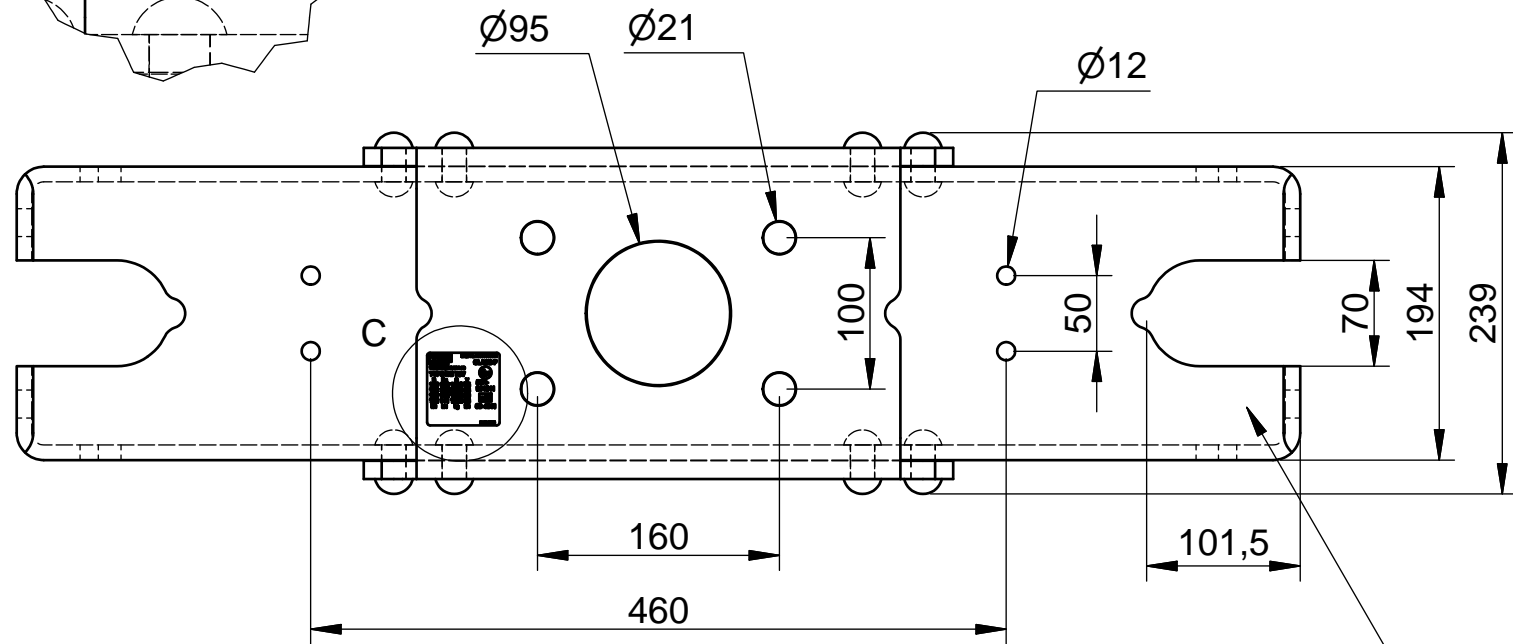
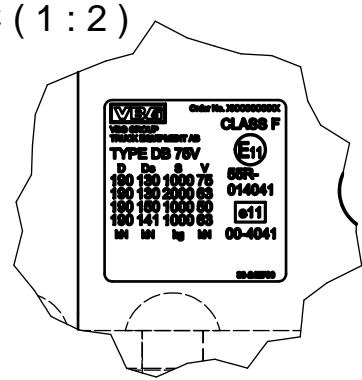


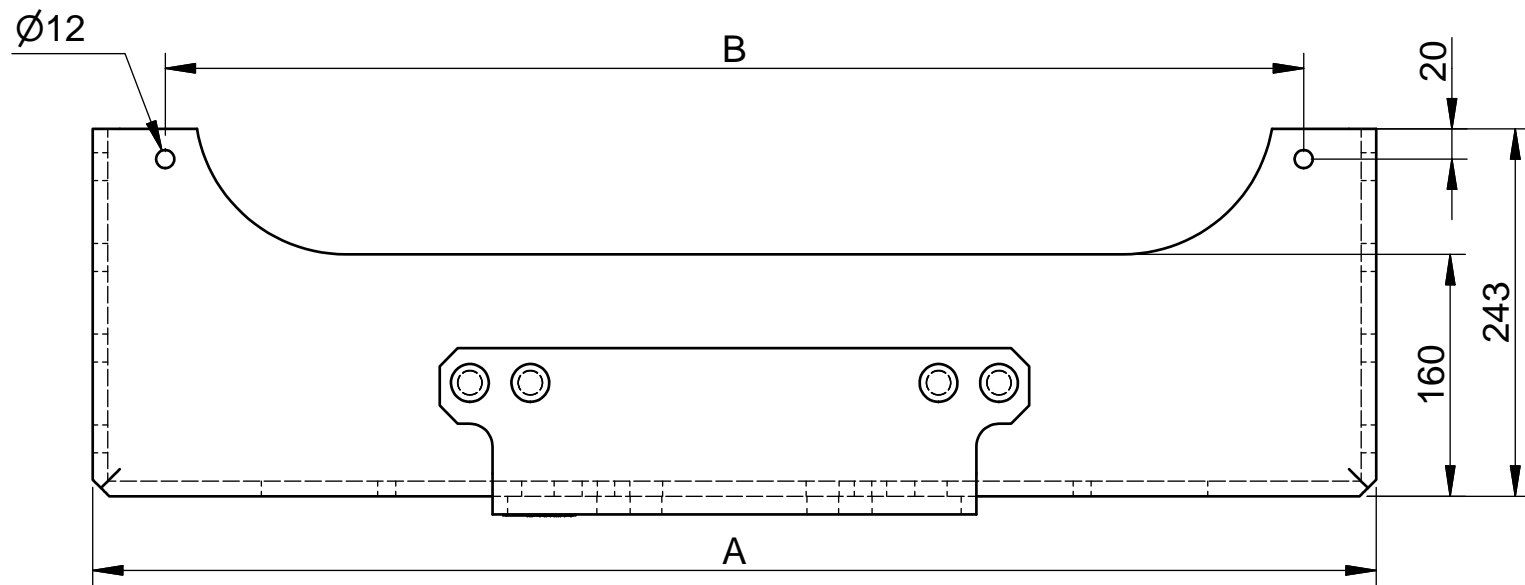
C (1:2)



Permanent marking "VBG", "LENGTH" and manufacturing "YEAR" and "WEEK"

Drawbeam length	A	B
850	849	753
834	833	753
784	783	671
770	769	671
766	765	671
762	761	671
756	755	671
752	751	671
742	741	647
728	727	647
590	589	493

See note 1



1 Holes, Ø12 mm, for mounting of bracket for trailer connection is non-existent on drawbeam L=590mm

VBG GROUP		Modified Date	Modified by	PU-number	Issue																												
		2012-04-17	SN	11823	h																												
<table border="1"> <tr> <td colspan="2"><i>GENERAL TOLERANCE</i></td> <td colspan="2"><i>MATERIAL</i></td> </tr> <tr> <td>Machined surfaces</td> <td>Quality</td> <td colspan="2"></td> </tr> <tr> <td>Unmachined surfaces</td> <td>Type</td> <td colspan="2"></td> </tr> <tr> <td>Surface texture</td> <td>Blank</td> <td colspan="2"></td> </tr> <tr> <td>Mass</td> <td>Surface treatment</td> <td colspan="2"></td> </tr> <tr> <td>kg</td> <td>E-coat + Powder coat</td> <td colspan="2"></td> </tr> <tr> <td>Usable for</td> <td colspan="3"></td> </tr> </table>		<i>GENERAL TOLERANCE</i>		<i>MATERIAL</i>		Machined surfaces	Quality			Unmachined surfaces	Type			Surface texture	Blank			Mass	Surface treatment			kg	E-coat + Powder coat			Usable for				3D-Model No.	Checked by	Engineer	Signed by
		<i>GENERAL TOLERANCE</i>		<i>MATERIAL</i>																													
Machined surfaces	Quality																																
Unmachined surfaces	Type																																
Surface texture	Blank																																
Mass	Surface treatment																																
kg	E-coat + Powder coat																																
Usable for																																	
<table border="1"> <tr> <td>Sheet Size</td> <td>Scale</td> <td>Projection</td> <td>Drafting Date</td> <td>Drafted by</td> </tr> <tr> <td>A3</td> <td>1:5</td> <td>First Angle</td> <td>2007-03-26</td> <td>JB</td> </tr> </table>		Sheet Size	Scale	Projection	Drafting Date	Drafted by	A3	1:5	First Angle	2007-03-26	JB	20-100500 (F) INFO		JB																			
		Sheet Size	Scale	Projection	Drafting Date	Drafted by																											
A3	1:5	First Angle	2007-03-26	JB																													
<table border="1"> <tr> <td>Stage</td> <td>Drawing No.</td> </tr> <tr> <td>P</td> <td>20-100500 (F) INFO</td> </tr> </table>		Stage	Drawing No.	P	20-100500 (F) INFO	Foreign Drawing No.		Description Name																									
		Stage	Drawing No.																														
P	20-100500 (F) INFO																																
This drawing is the property of VBG Group AB and is protected in accordance with prevailing law. Changes must be made in CAD-program, this concerns both 2D & 3D.		Information Drawing		DB75V																													
		Remark		Id. No.																													