






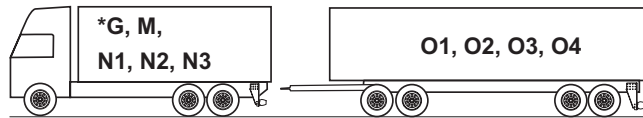


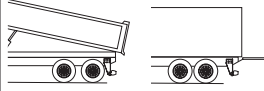
VBG INSTALLATION REPORT RUPD





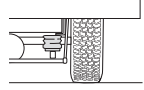
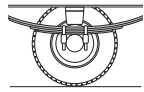
R58-03

2021-03-03
38-321500c

-  UBUS
E1 58R-03 0590
-  SBUS
E1 58R-03 0584
-  SBSA-100
E1 58R-03 0591
-  SBSA
E1 58R-03 0585
-  SBSS
E1 58R-03 0586



D = Max	
300	 *G, N2 (>8T), N3 O3, O4
200	O3, O4
400 - δ	M, N1, N2 (<8T) O1, O2

C mm			
			
431	446	380	432
 *G, N2 (>8T), N3 O3, O4			
481	496	430	482
 *G, N2 (>8T), N3 O3, O4			
531	546	480	532
M, N1, N2 (<8T) O1, O2			

*Category "G" has separate positioning rules.