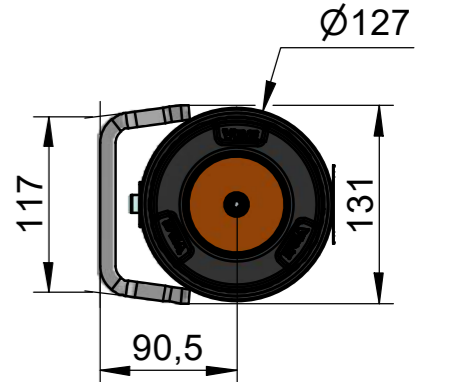


VBG The strong connection



Truck Frame Width, see note 4

ECE Type Approval Marking

A (see table)

4

Truck Frame width

21-715982/21-716078 Min 920 - Max 1056
 21-715382/21-715478 Min 1057 - Max 1194
 21-715682/21-715778 Min 1195 - Max 1332
 21-735582/21-735678 Min 1333- Max 1400

(with Horizontal Extension UPS)

21-715982/21-716078 Min 891 - Max 1035
 21-715382/21-715478 Min 1029 - Max 1173
 21-715682/21-715778 Min 1167 - Max 1311
 21-735582/21-735678 Min 1305- Max 1400

3

Weight 42 kg

2

Dimensions for information only. Do not scale.

1

Type Approval No
 E1 R58-03 0586

Approval only applicable when mounted with VBG original mounting brackets.

Part No	A
21-715982/21-716078	918
21-715382/21-715478	1056
21-715682/21-715778	1194
21-735582/21-735678	1332

VBG GROUP

UCSP 180 Trailer

Modified Date	2021-02-12	Modified by	JE	Modification No.	13234	Issue	C		
3D Model No.	21-715900			Engineer	JE				
Sheet Size	A2	Scale	1 : 5	Projection		Drafting Date	2020-03-13		
Stage	P	Drawing No.	21-715900 (F) INFO					Drafted by	JE

This drawing is the property of VBG Group AB and is protected in accordance with prevailing law. Changes must be made in CAD-program, this concerns both 2D & 3D.